

Applications

- Suitable for micro and sprinkler irrigation systems or as back up filter at the control valves in the field.
- All sizes available with 80 or 120 mesh screens

Features

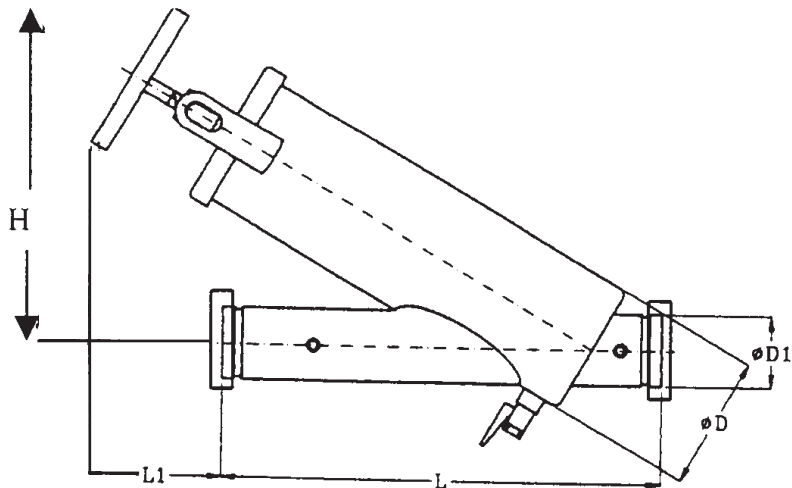
- Steel construction and epoxy/polyester coated
- Screen constructed of PVC with Stainless Steel mesh
- Direct flow method where water passes along the length of the filter screen.
- Pressure test points upstream and downstream of screen. (Pressure gauge and pitot adaptor required)
- Inlet / outlet at 180 degrees
- Simple cleaning by opening drain valve or removal of element
- Maximum operating pressure: 800 kPa

Note:

In some installations a pressure release valve may be required before the filter station

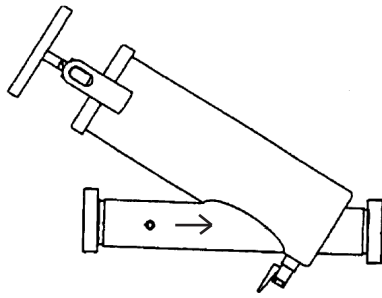


Dimensional Drawing - Clear-Flo IMS200 In-Line Manual Screen Filter

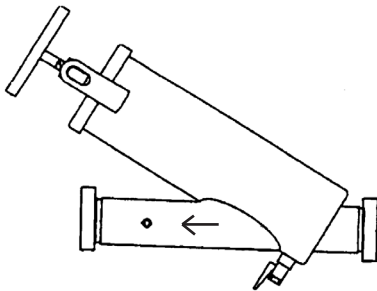


Technical Data

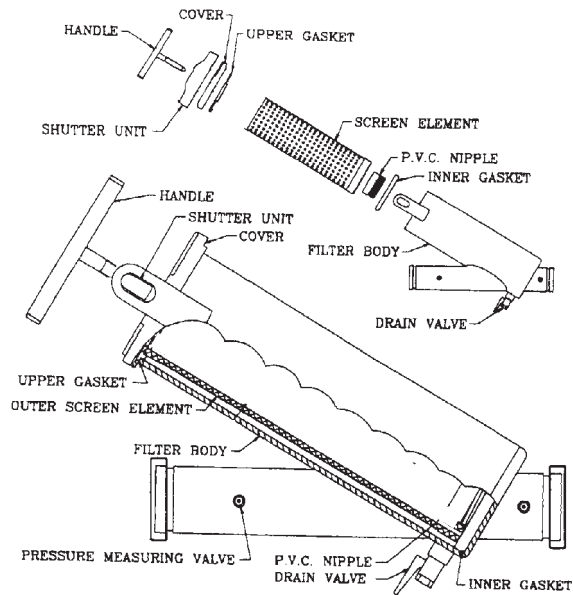
Model Number	Flow Rate (m ³ /hr)	Connection (Table Rating)	D (mm)	DI (mm)	H (mm)	HI (mm)	L (mm)	Weight (Kg)	Flush Valve Size(mm)
F215	10-20	BSPF	100	40	290	140	350	7.6	15 (F)
F220	15-25	BSPF	150	50	300	140	480	14.7	20 (F)
F230	30-45	Flange (D)	150	80	430	165	560	20.7	20 (F)
F240	50-90	Flange (D)	200	100	480	195	685	29.5	25 (F)
F260	130-220	Flange (D)	250	150	730	495	745	64	32 (M)
F280	200-300	Flange (D)	300	200	822	326	850		
F2100	380-540	Flange (D)	350	250	828	238	1000		



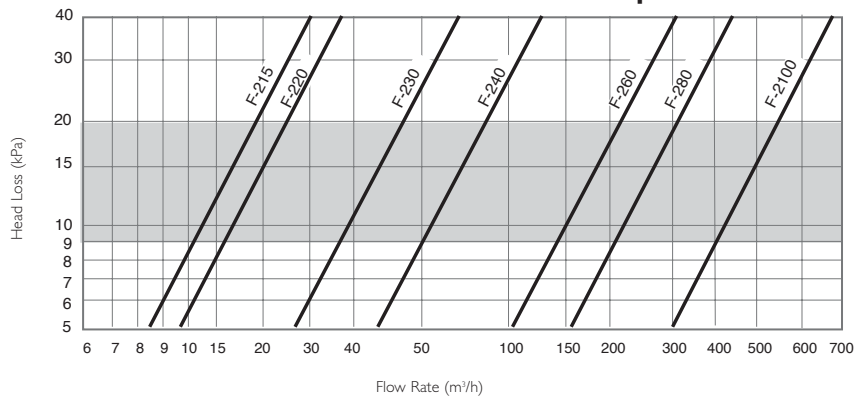
Flow Direction F215, F220, F230, F240



Flow Direction F260, F280, F2100



Series 200 – Head Loss Graph



Clear - Flo™ IMS200 - In-line Manual Screen - Y Pattern Filters

ORDERING INFORMATION

Code	Description	Flow Rate (m³/hr)
F215M-80	40 mm (1 1/2") BSPF, 80 Mesh	10-20
F215M-120	40 mm (1 1/2") BSPF, 120 Mesh	10-20
F220M-80	50 mm (2") BSPF, 80 Mesh	15-25
F220M-120	50 mm (2") BSPF, 120 Mesh	15-25
F230F-80	80 mm (3") Flanged, 80 Mesh	30-45
F230F-120	80 mm (3") Flanged, 120 Mesh	30-45
F240F-80	100 mm (4") Flanged, 80 Mesh	50-90
F240F-120	100 mm (4") Flanged, 120 Mesh	50-90
F260F-80	150 mm (6") Flanged, 80 Mesh	130-220
F260F-120	150 mm (6") Flanged, 120 Mesh	130-220
F280F-30	200 mm (8") Flanged, 30 Mesh	200-330
F2100F-30	250 mm (10") Flanged, 30 Mesh	400-540